

## Certifications & Information

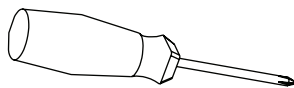
- NSF Certified
- cUPC & UPC
- ADA Approved
- Limited Lifetime Warranty
- Lead Free Construction

**Spout Flow Rate**  
1.73gpm at 60PSI

**Sprayer Flow Rate**  
1.06gpm at 60PSI

## Tools

Gather the necessary tools as shown to complete the installation of this faucet.



Phillips screwdriver



Adjustable Wrench

The following tools are optional:



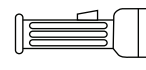
Safety Glasses



Channel Lock

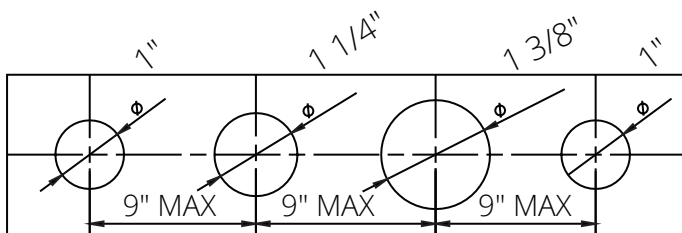


Pliers



Flashlight

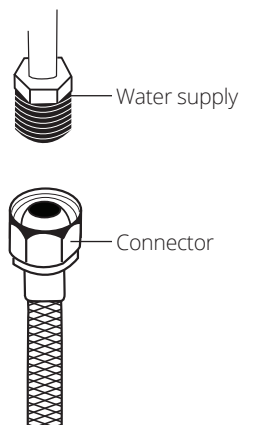
## Configuration



Four-hole Installation

\* This measurement is only suggestive and may vary according to the sink model.

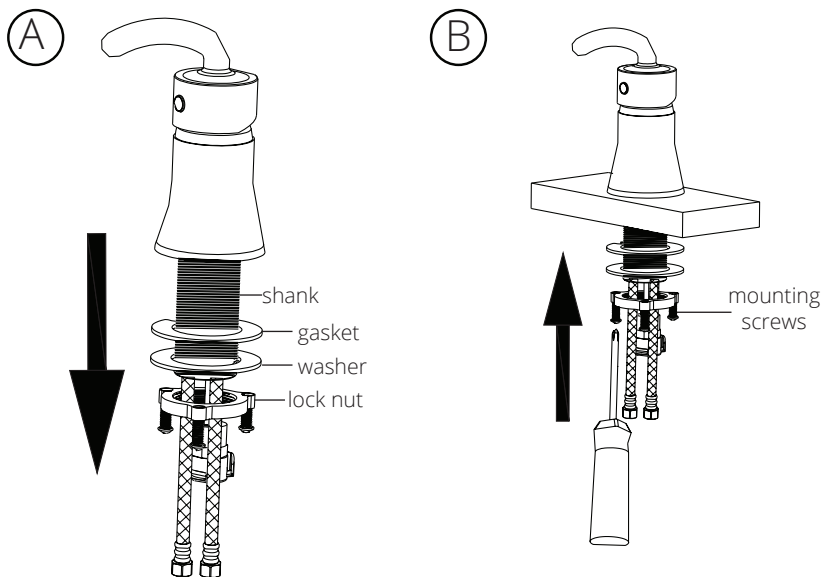
Connect to water supply lines with TWO 3/8" Compression Faucet Connectors



## Faucet Installation

- A. Turn off the water supply. Remove the mounting hardware from the remote valve shank.
- B. From the underside of the sink or mounting surface, attach the gasket and washer, followed by the lock nut, onto the shank.

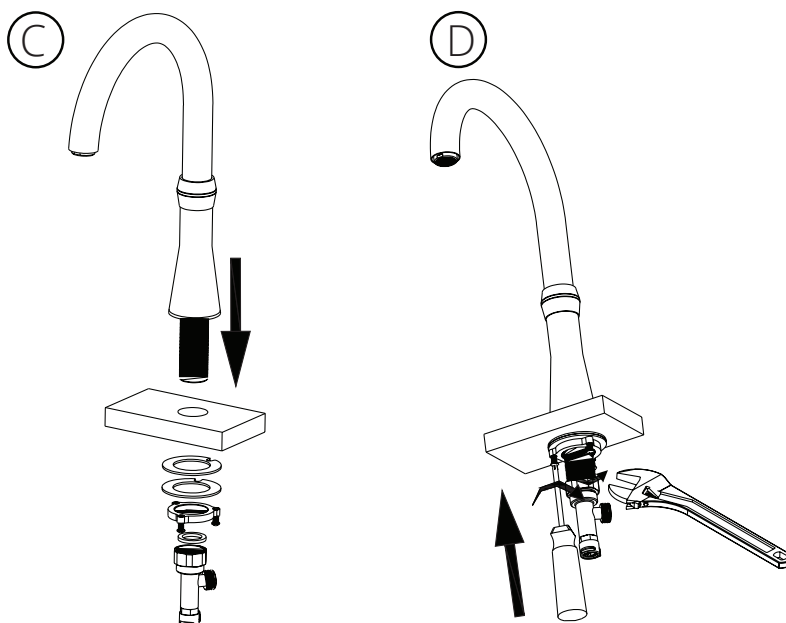
Tighten mounting screws until secure.



- C. Insert the shank of the faucet into the hole of the sink deck.

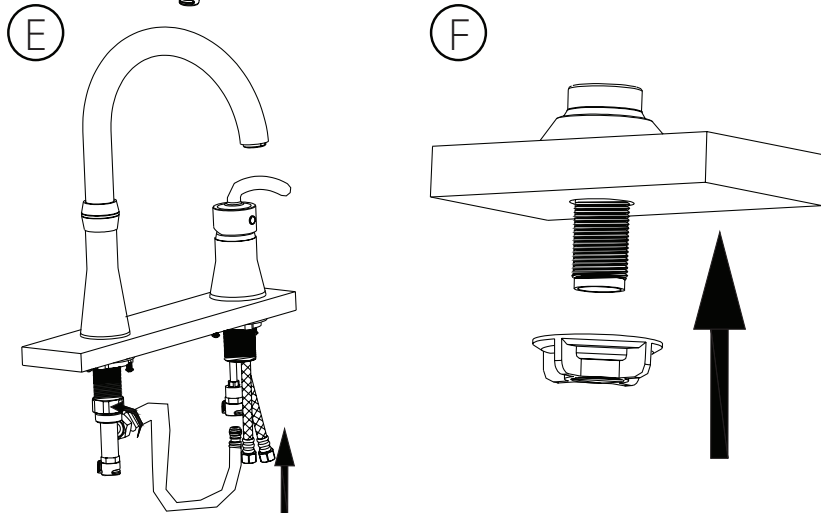
From the underside of the sink or mounting surface, attach the gasket and washer, followed by the lock nut, onto the shank.

- D. Using a phillips screw driver tighten the mounting screws until secure. Attach the water supply fitting at the base of the faucet shank using an adjustable wrench to tighten.



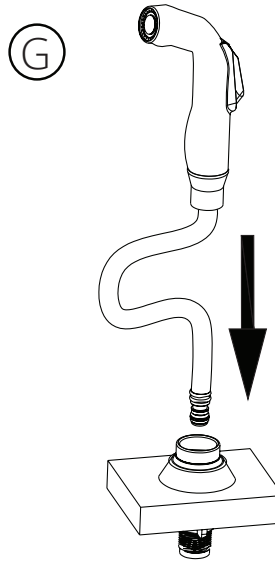
- E. Connect the supply line from the remote valve quick connect to the valve body at the faucet base.

- F. Insert the side spray shank into the hole of the sink deck. Attach lock nut from below and hand tighten.

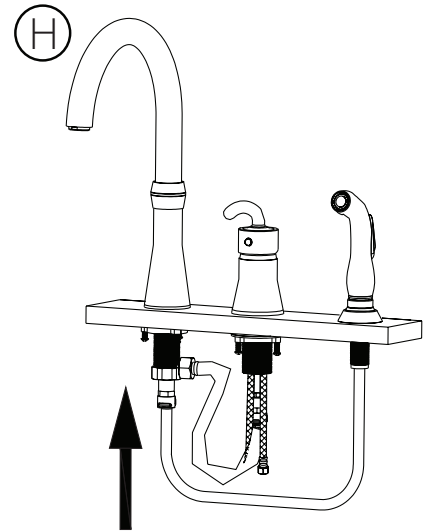


## Faucet Installation Continued

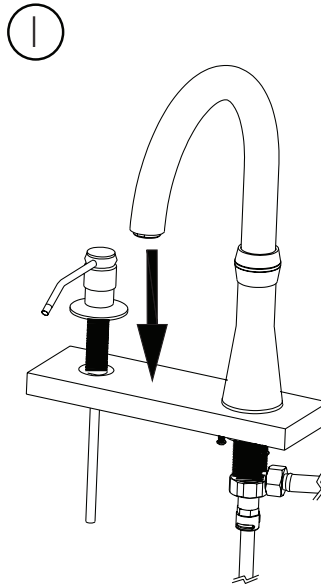
G. Insert the side spray hose into the sink hole. From underneath the sink, securely hand tighten the lock nut.



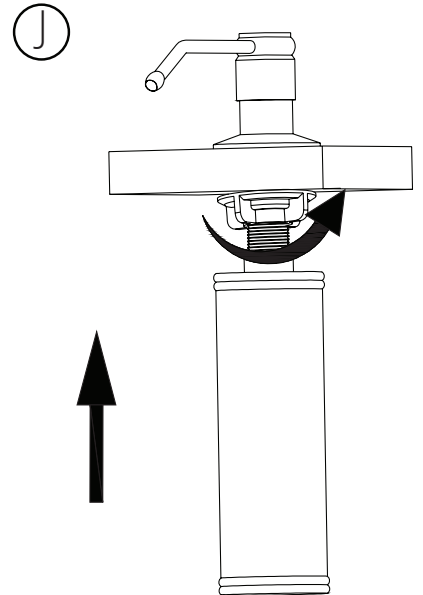
H. Attach side spray hose to the quick connect fitting at faucet base.



I. Remove all mounting hardware from soap dispenser. Position the soap dispenser in desired mounting hole.



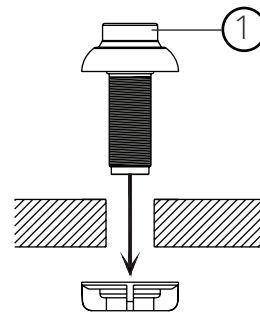
J. From underneath the sink thread the nut onto the shank. Tighten the nut until the soap dispenser is firmly held in place.



Fill the dispenser bottle with soap, insert the pump assembly onto the shank.

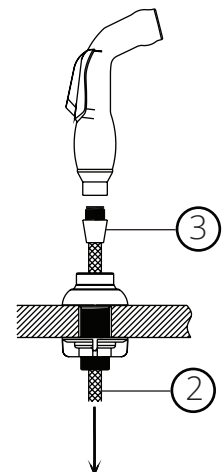
## Side Spray Installation

A. Insert spray hose assembly (1) to far right hole on the sink, hand tighten with lock nut from underneath.



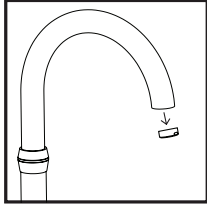
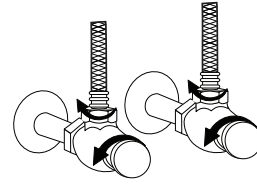
B. Insert spray hose (2) down hose assembly.

C. Connect male end (3) with spray and hand tighten.

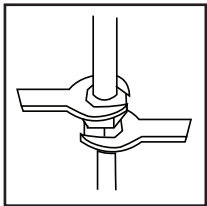


## Important

Turn on the water supply SLOWLY, to test for leaks before completely opening the water lines.



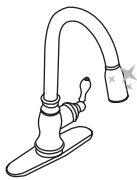
Remove the aerator from the end of the faucet by carefully unscrewing it. Let hot and cold water run through both water lines for at least one minute before replacing the aerator. This will help to clear any debris in the line, which could otherwise clog the system.



To prevent damage to the tube body, tighten the connections by carefully using two wrenches as shown. Use caution to not bend the stem. Check for leaks.

## Cleaning Information

Simply rinse and dry faucets with a soft towel every week to prevent mineral deposits from forming. Clean spills and splatters as they happen. Do not let soap, toothpaste or other contaminants dry on the faucet, this can stain or pit the finish. Use a mild soap and soft sponge or towel to remove residue. Rinse and dry thoroughly.



Never use an abrasive cleaner or rough sponge to clean or dry your faucet. Harsh cleaners could dull or scratch the finish. Use only a soft disinfectant that does not contain bleach or chlorine and apply with a soft towel.

### Warranty Information

MR Direct warrants to the original consumer purchaser that our sinks and faucets will be free from defects in material and workmanship under normal use for the lifetime of the product. MR Direct may elect to repair or replace any defective MR Direct product covered by our warranty.

Our warranty does not cover defects caused by misuse, abuse, negligence, alterations, environmental conditions, improper installation, storage and handling; nor any labor expenses.

From time to time we will change design specifications and materials as conditions require and improvements are developed. We have no obligation to incorporate such changes in products we previously manufactured.

This warranty is in lieu of any and all other warranties, express or implied, including any warranties of merchantability and of fitness for a particular purpose; and excludes any incidental or consequential damages. No representative has the authority to change or enlarge the above warranty.

This warranty is only valid in the United States of America. Some states do not allow limitations on how long an implied warranty lasts or the exclusion or limitation of incidental or consequential damages, so the above limitations or exclusion may not apply. This warranty gives you specific legal rights, and you may also have other rights which vary from state to state.

### One-Year Accessory Warranty

MR Direct warrants to the original purchaser that all of our accessories will be free from defects in material and workmanship under normal use for one full year.

Our warranty does not cover defects caused by misuse, abuse, negligence, alterations, environmental conditions, improper installation, storage and handling; nor any labor expenses. MR Direct may elect to repair or replace any defective MR Direct accessory covered by our warranty.