

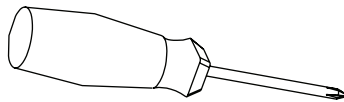
Certifications & Information

- ADA Approved
- Limited Lifetime Warranty

Flow Rate
1.91gpm at 60PSI

Tools

Gather the necessary tools as shown to complete the installation of this faucet.



Phillips Screwdriver



Adjustable Wrench

The following tools are optional:



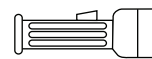
Safety Glasses



Channel Lock

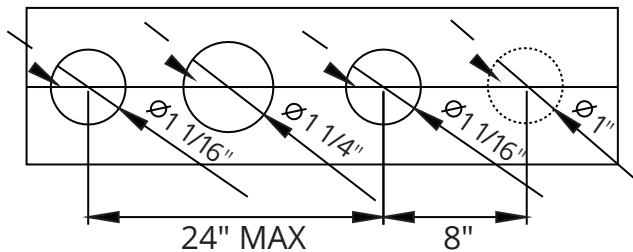


Pliers



Flashlight

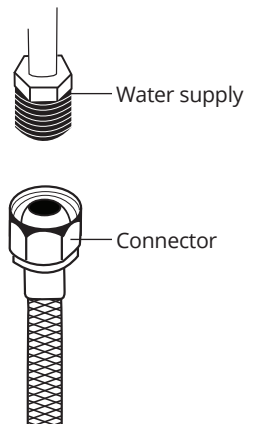
Configuration



Three-hole Installation
24" MAX Centerset
Four-hole Installation with available side spray

* This measurement is only suggestive and may vary according to the sink model.

Connect to water supply lines with TWO 3/8" Compression Faucet Connectors



Faucet Installation

A. Turn off the water supply. Remove the faucet with the mounting hardware attached from the package.

*An optional matching side spray is also available.

B. Remove all mounting hardware from the faucet handle shanks.

*Coupling nut and cone washer are optional for this installation depending on your waterline connection.

C. Insert the shank of the faucet handle body into the hole of the sink deck.

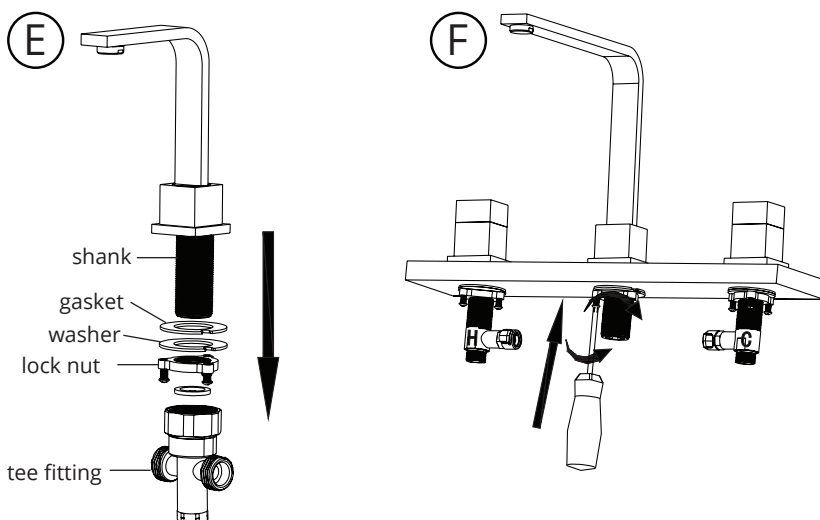
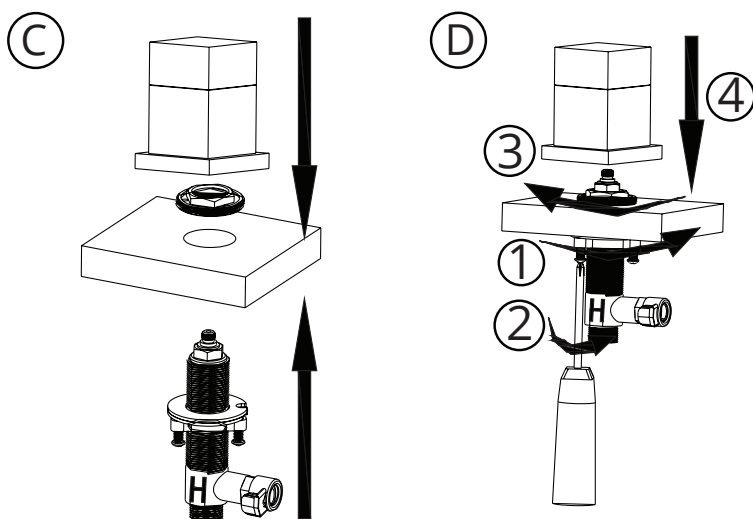
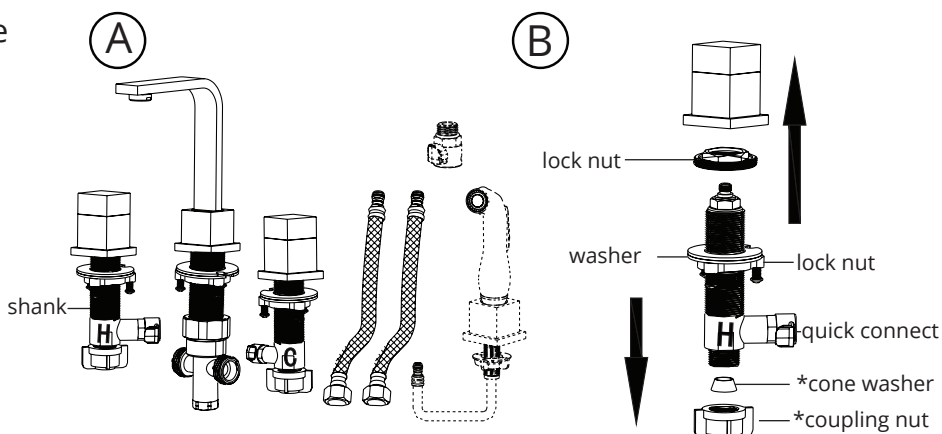
From the underside of the sink or mounting surface, attach the gasket and washer, followed by the lock nut, onto the shank.

D. (1) Using a phillips screw driver (2) tighten the mounting screws until secure. (3) Lower the the lock nut to onto the mounting surface (4) followed by the faucet handle.

Repeat above steps for second faucet handle.

E. Remove all mounting hardware from the faucet shank.

F. From the underside of the sink or mounting surface, attach the gasket and washer, followed by the lock nut, onto the shank. Tighten mounting screws until secure.



Faucet Installation Continued

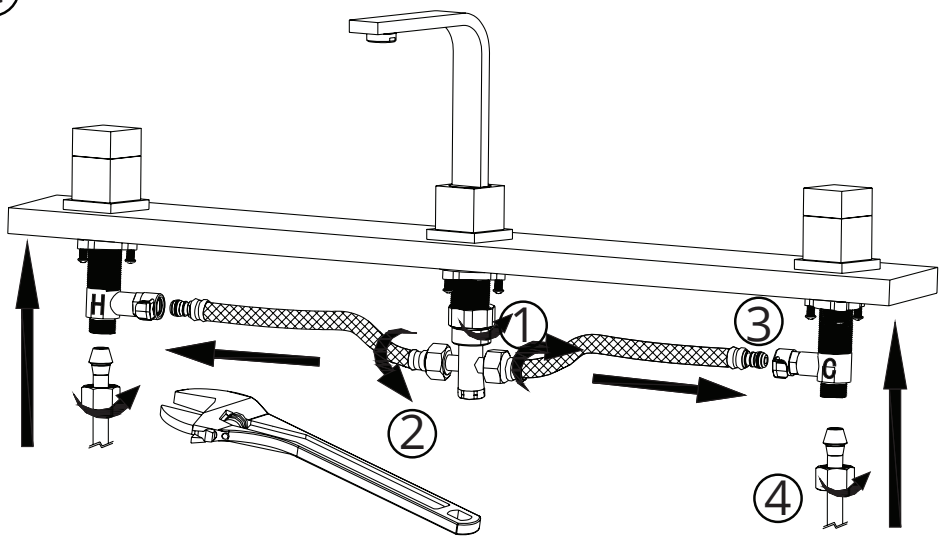
G. (1) Tighten the tee fitting on to faucet shank (2) Attach the hot and cold supply lines to the Tee fitting at the faucet base.

Ⓒ

(3) Attach the opposite end of each hose to the corresponding quick connect fittings by tightening the 3/8" compression fittings onto the lines.

Secure all fittings with a 1/4 turn of a wrench.

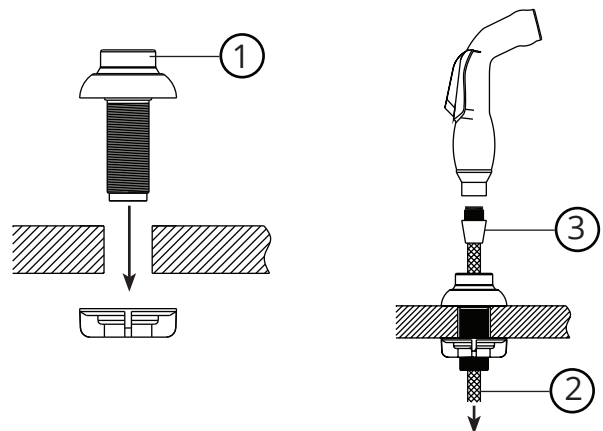
(4) Secure water line connections to each corresponding faucet handle shank base. Secure all fittings with a 1/4 turn of a wrench.



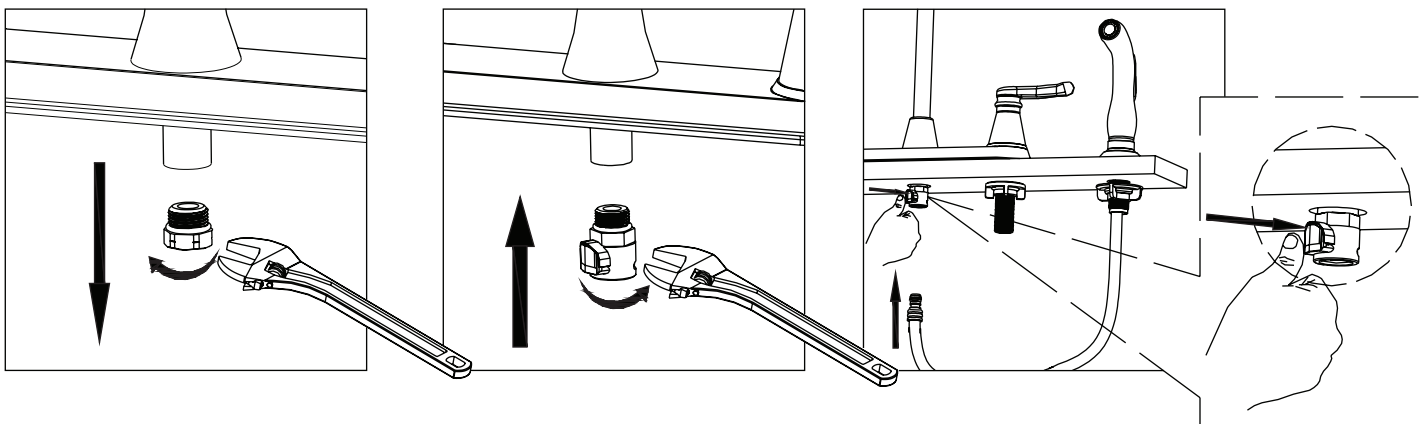
Side Spray Installation

Side Spray Installation

- Insert spray hose assembly (1) to far right hole on the sink, hand tighten with lock nut from underneath.
- Insert spray hose (2) down hose assembly.
- Connect male end (3) with spray and hand tighten.

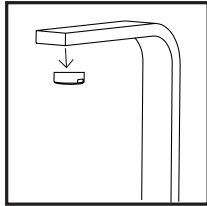
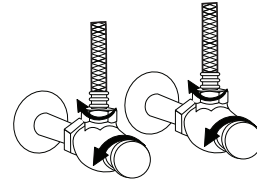


Replacing plug with supplied Quick Connect connection for side spray installation.

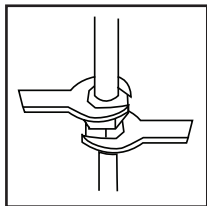


Important

Turn on the water supply SLOWLY, to test for leaks before completely opening the water lines.



Remove the aerator from the end of the faucet by carefully unscrewing it. Let hot and cold water run through both water lines for at least one minute before replacing the aerator. This will help to clear any debris in the line, which could otherwise clog the system.



To prevent damage to the tube body, tighten the connections by carefully using two wrenches as shown. Use caution to not bend the stem. Check for leaks.

Cleaning Information

Simply rinse and dry faucets with a soft towel every week to prevent mineral deposits from forming. Clean spills and splatters as they happen. Do not let soap, toothpaste or other contaminants dry on the faucet, this can stain or pit the finish. Use a mild soap and soft sponge or towel to remove residue. Rinse and dry thoroughly.



Never use an abrasive cleaner or rough sponge to clean or dry your faucet. Harsh cleaners could dull or scratch the finish. Use only a soft disinfectant that does not contain bleach or chlorine and apply with a soft towel.

Warranty Information

MR Direct warrants to the original consumer purchaser that our sinks and faucets will be free from defects in material and workmanship under normal use for the lifetime of the product. MR Direct may elect to repair or replace any defective MR Direct product covered by our warranty.

Our warranty does not cover defects caused by misuse, abuse, negligence, alterations, environmental conditions, improper installation, storage and handling; nor any labor expenses.

From time to time we will change design specifications and materials as conditions require and improvements are developed. We have no obligation to incorporate such changes in products we previously manufactured.

This warranty is in lieu of any and all other warranties, express or implied, including any warranties of merchantability and of fitness for a particular purpose; and excludes any incidental or consequential damages. No representative has the authority to change or enlarge the above warranty.

This warranty is only valid in the United States of America. Some states do not allow limitations on how long an implied warranty lasts or the exclusion or limitation of incidental or consequential damages, so the above limitations or exclusion may not apply. This warranty gives you specific legal rights, and you may also have other rights which vary from state to state.

One-Year Accessory Warranty

MR Direct warrants to the original purchaser that all of our accessories will be free from defects in material and workmanship under normal use for one full year.

Our warranty does not cover defects caused by misuse, abuse, negligence, alterations, environmental conditions, improper installation, storage and handling; nor any labor expenses. MR Direct may elect to repair or replace any defective MR Direct accessory covered by our warranty.

Notes