

Certifications & Information

- ADA Approved
- Limited Lifetime Warranty

Spout Flow Rate
3.83gpm at 60PSI

Shower Flow Rate
2.11gpm at 60PSI

Tools

Gather the necessary tools as shown to complete the installation of this faucet.



Thread seal tape



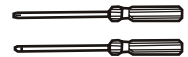
Pipe Wrench



Piping



7/32" Hex Wrench



Screwdriver Set

The following tools are optional:



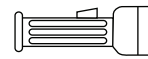
Safety Glasses



Channel Lock



Pliers



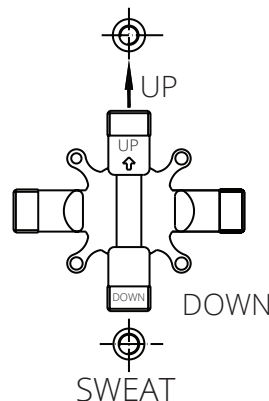
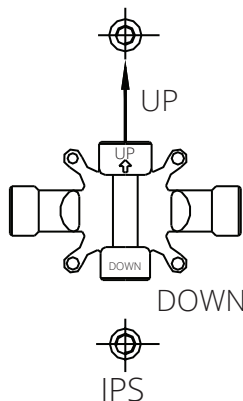
Flashlight



Adjustable Wrench

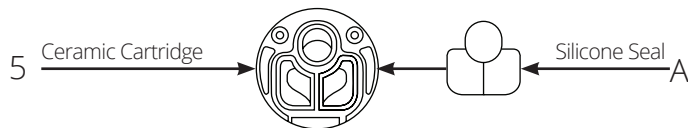
Determining Your Existing Rough-in Plumbing Installation

If you are replacing your plumbing valve, see below for common plumbing methods. Specific rough-in fittings are not supplied, but may be required for installation.



Faucet Installation

1. Before soldering, remove ceramic cartridge & pressure balanced valve (1, 2, 3, 4, 5, 6). Then remove integral (7, 8, 9, 10, 11, 12, 13) from shower body.
2. After cool down from soldering, replace the integral (7, 8, 9, 10, 11, 12, 13) in reverse order back to shower body. Use a flat head screwdriver to turn the studs (9) to the "Close" position. DO NOT install pressure balanced valve and ceramic cartridge. Turn on water supply. Check connection for leak. Turn studs (9) slowly to "Semi On" position and flush the system with both hot and cold water for 1 minute. Turn off water supply and turn studs (9) to "Full Open" position.
3. Replace pressure balanced valve and ceramic cartridge in reverse order back to shower body. Make sure silicone seals (A) are in the correct position. Installation without silicone seals may cause leakage.



C x M Adapter
(for IPS)

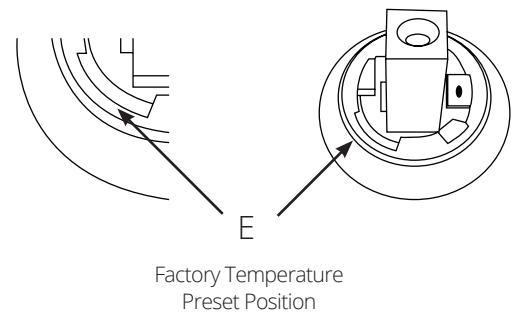
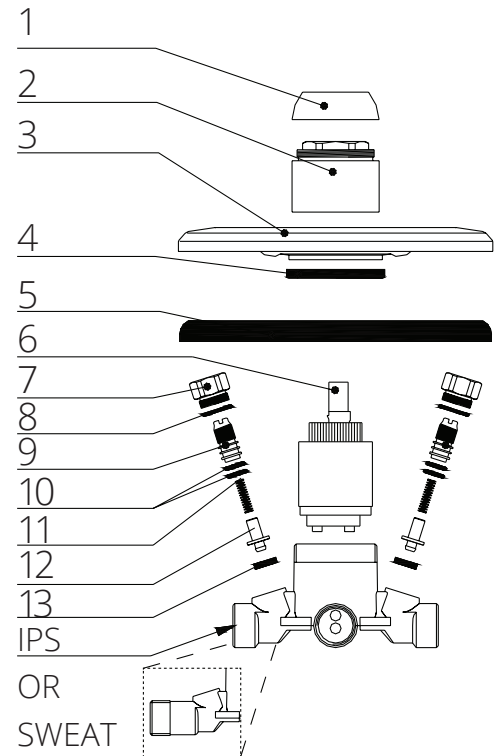


C x F Adapter
(for SWEAT)

4. When connecting with a C x M Adapter, or a C x F Adapter, wrap the threads with an adequate amount of Teflon thread tape. (20 wraps is recommended.)

Note: Connecting without Thread Tape may cause leakage.

5. Before reinstalling the ceramic cartridge make sure the temperature ring (E) is set at the preset factory temperature position. Soldering without removing the ceramic cartridge, pressure balanced valve, and integral stop will void the factory warranty.

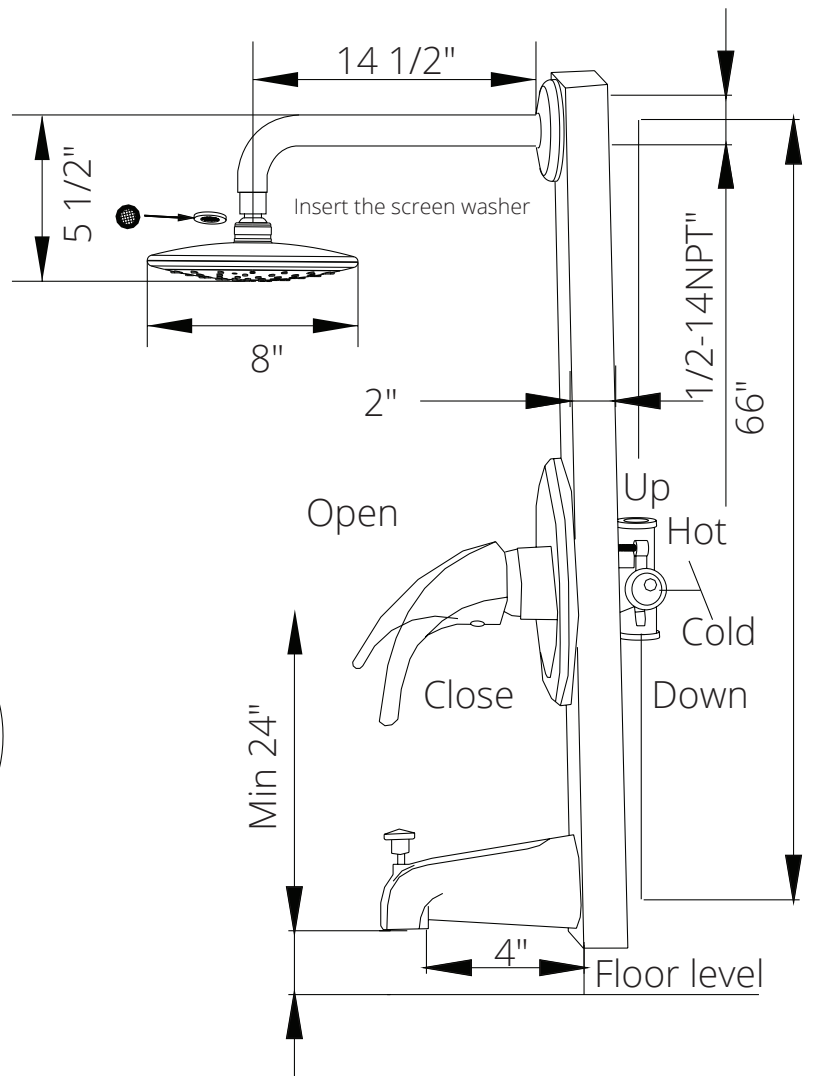
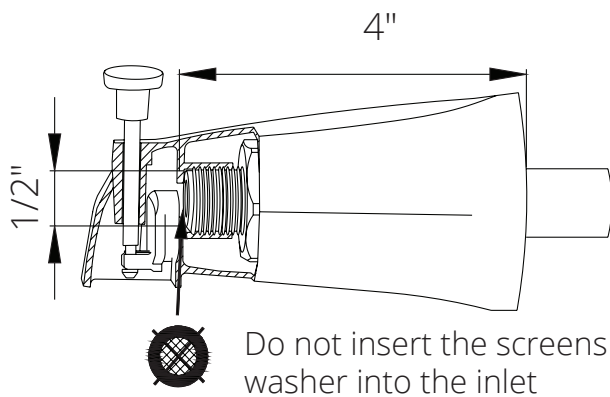


Faucet Installation Continued

6. Connect spout and shower unit. Attach shower head ONLY after flushing the system with both hot and cold water for 1 minute.

After all connections have been made, attach handle and test the system. Check all connections and valve for any leaks.

Test water pressure on full hot and cold. If water pressure is unbalanced, use the stud on the valve to adjust.



Important

1. Be sure to correctly identify the hot/cold water supply pipes before installing the valves.
2. The torque suggested: 100-120 kg/cm (for models 717 and 750)
3. The suggested hot/cold water supply temperatures are:

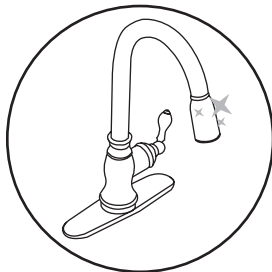
Hot water supply 49C (120F)- 82C (180F)

Cold water supply 4C (39F)- 29C (85F)

4. When assembly is completed, test the fixture to be sure the water temperature flow matches the handle position indicated. (Hot position provides hot water. Cold position provides cold water.)
5. The temperature valve should be set by a professional installer. Improper installation could cause excessive temperatures and injury.

Maintenance & Cleaning

The faucet can be cleaned by rinsing with clear water or washing with mild detergents. Dry the faucet with a clean, soft cotton cloth. CAUTION: do not use any cleaning agents containing acids, abrasives, or other harsh chemicals.



Simply rinse and dry faucets with a soft towel every week to prevent mineral deposits from forming. Clean spills and splatters as they happen. Do not let soap, toothpaste or other contaminants dry on the faucet, this can stain or pit the finish. Use a mild soap and soft sponge or towel to remove residue. Rinse and dry thoroughly.



Never use an abrasive cleaner or rough sponge to clean or dry your faucet. Harsh cleaners could dull or scratch the finish. Use only a soft disinfectant that does not contain bleach or chlorine and apply with a soft towel.

Warranty Information

MR Direct warrants to the original consumer purchaser that our sinks and faucets will be free from defects in material and workmanship under normal use for the lifetime of the product. MR Direct may elect to repair or replace any defective MR Direct product covered by our warranty.

Our warranty does not cover defects caused by misuse, abuse, negligence, alterations, environmental conditions, improper installation, storage and handling; nor any labor expenses.

From time to time we will change design specifications and materials as conditions require and improvements are developed. We have no obligation to incorporate such changes in products we previously manufactured.

This warranty is in lieu of any and all other warranties, express or implied, including any warranties of merchantability and of fitness for a particular purpose; and excludes any incidental or consequential damages. No representative has the authority to change or enlarge the above warranty.

This warranty is only valid in the United States of America. Some states do not allow limitations on how long an implied warranty lasts or the exclusion or limitation of incidental or consequential damages, so the above limitations or exclusion may not apply. This warranty gives you specific legal rights, and you may also have other rights which vary from state to state.

One-Year Accessory Warranty

MR Direct warrants to the original purchaser that all of our accessories will be free from defects in material and workmanship under normal use for one full year.

Our warranty does not cover defects caused by misuse, abuse, negligence, alterations, environmental conditions, improper installation, storage and handling; nor any labor expenses. MR Direct may elect to repair or replace any defective MR Direct accessory covered by our warranty.

Notes