



INSTALLATION
INSTRUCTIONS

Topmount Sinks

877.946.5725
Toledo, Ohio
Sales@MRDirectInt.com
www.MRDirectInt.com



THE INSTALLATION OF ANY TOPMOUNT-STYLE SINK

Topmount sinks are designed to be mounted over the countertop. They are available in stainless steel, porcelain, copper and bronze, TruGranite / Quartz.

In addition to silicone caulking, various styles of clips are used to further secure sinks to the counter. On the next page there are examples of two different clips, and how they attach, when installing Top Mount / US styles of stainless steel sinks.

INSTALLATION INSTRUCTIONS (cont...)

Undermount/ Topmount Sinks

THE STEPS

- ▶ Determine the locations for the clip brackets around the perimeter of the sink. Pre-drill holes for the clips using appropriate methods for the countertop material.
- ▶ Clean the surfaces of the sink and countertop which will meet, with denatured alcohol.
- ▶ Evenly apply a bead of silicone along perimeter edge of the opening on the top of the countertop.
- ▶ Carefully align the sink over the countertop opening.
- ▶ Evenly apply pressure to the sink securing a seal of silicone against the countertop.
- ▶ Verify the sink is evenly aligned with the countertop.
- ▶ Attach and tighten the clip brackets against the edge of the sink. Do not tighten one screw completely before others. Partially tighten one clip then the one across from it, and so on until all clips are fully tightened. This will safeguard against an uneven or insecure installation.
- ▶ Use a cloth with denatured alcohol along the perimeter of the sink and countertop to remove any excess sealant.

TOPMOUNT TRUGRANITE/QUARTZ SINKS

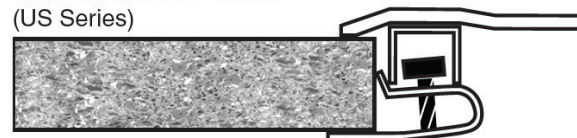
Every Topmount Trugranite/Quartz sink has pre-scored holes to accommodate the desired location of faucet and accessories. The holes can be located on the underside of the faucet deck of the sink. There may be yellow-dotted circle labels at the topside to help identify where to find these pre-scored holes.

Before knocking the holes out, verify the yellow-dotted circle labels align with the actual location of the embossed holes on the underside of the sink. Then, carefully knock the holes out from the topside of the sink using a screwdriver and hitting it gently with a hammer. Use a metal hole saw or jigsaw to enlarge the opening if necessary.

THE INSTALLATION OF ANY TOPMOUNT-STYLE SINK

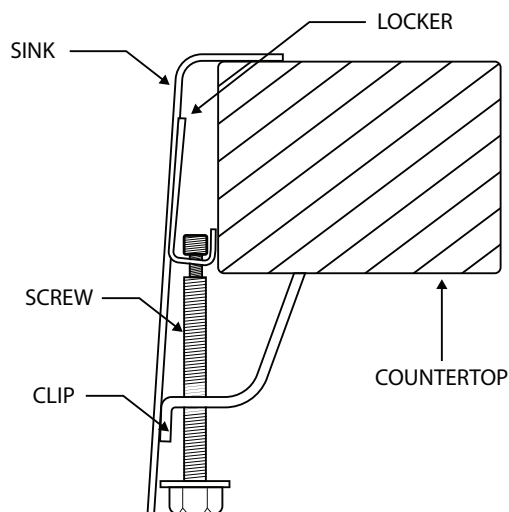
US Series

STAINLESS STEEL
TOPMOUNT CLIP
(US Series)



T3121L

Due to the nature of the T3121L clip system please cut the countertop in accordance with the supplied cutout template.



Topmount TruGranite/Quartz Holes

