

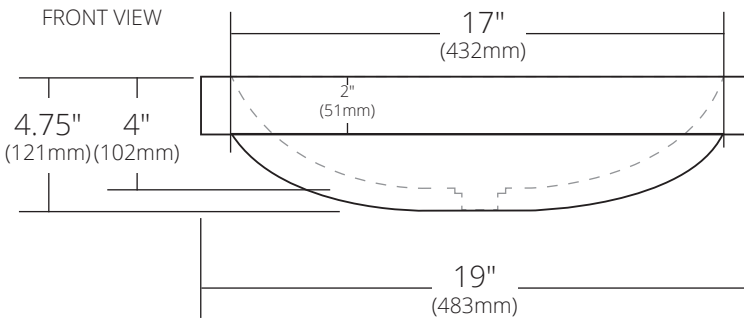
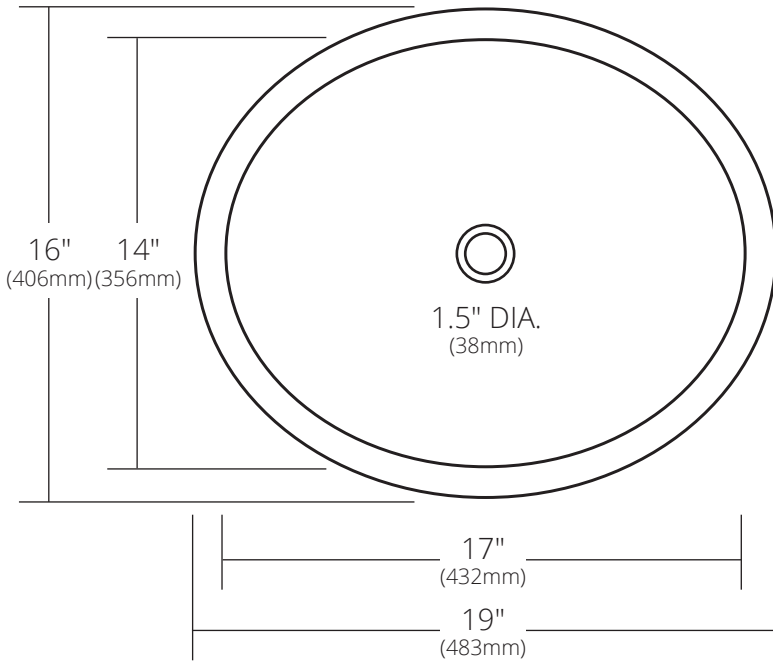
SPECIFICATIONS

TOLOSA

NativeStone® Collection



TOP VIEW



- NSL1916-A Ash
- NSL1916-S Slate
- NSL1916-P Pearl
- NSL1916-E Earth

PRODUCT DETAILS

- 19" x 16" x 4.75" OD (483mm x 406mm x 121mm)
- 17" x 14" x 4" ID (432mm x 356mm x 102mm)
- 1.5" (38mm) drain opening
- Handcrafted from sustainable NativeStone®
- Sealed with impermeable nano sealer

INSTALLATION

- Drop-in or undermount

COORDINATING PRODUCTS

- Drains: DR120, DR130 or DR150
- NativeStone® Sealer

STANDARDS COMPLIANCE

- UPC/cUPC compliant
- **ADA** COMPLIANT

IMPORTANT

Do NOT use tape or other adhesives on NativeStone® as it may remove the sealer.

Due to the handcrafted nature of this product, it will vary in finish, texture, and other details. Dimensions may vary up to .25" (6mm).