



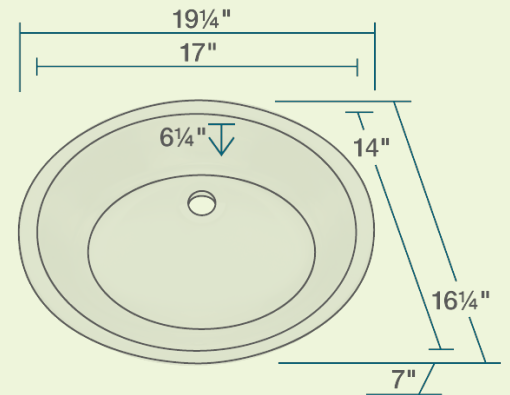
1917 Vanity Sink



Stainless Steel

Stainless Steel is the most popular choice for today's kitchens due to its clean look and durability. The beautiful brushed satin finish helps to hide small scratches that may occur over the lifetime of the sink. Our Stainless Steel sinks are made from high quality 14, 16, 18, 20 or 24 gauge steel. Most models are made of one piece construction that ensures the sturdiest kitchen sink you will find. Our sinks are made from 304 steel and are guaranteed not to rust or stain. Each sink is fully insulated and has a sound dampening pad. Our stainless steel sinks are backed by a limited lifetime warranty. Each sink comes with a cardboard cutout template and mounting hardware. This sink contains an overflow.

- 19 1/4" x 16 1/4" x 7"
- Undermount or Topmount Installation
- 18-Gauge Steel
- Certified High-Quality 304 Stainless Steel
- Brushed Satin Finish
- Offset Drain
- Cardboard Cutout Template Included
- Installation Hardware Included
- cUPC Certified (Uniform Plumbing Code)
- Limited Lifetime Warranty
- Rubber Gasket for Optional Topmount Installation



Accessories



*Accessories not included

UPC: 817299011378

Features

Topmount or Undermount 	21" Minimum Cabinet Size 	18 Gauge 	Cold-Rolled Stainless Steel 	Brushed-Satin Finish 	Cutout Template
Hardware Included 	cUPC Certified 	Limited Lifetime Warranty 	One Bowl 		