



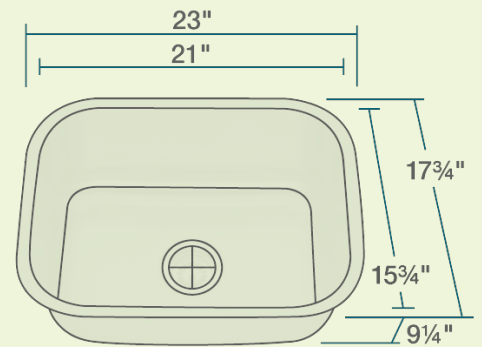
## 2318-SLW Single Bowl Kitchen Sink with White SinkLink

### Stainless Steel

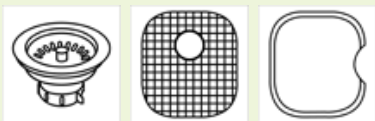
Stainless Steel is the most popular choice for today's kitchens due to its clean look and durability. The beautiful brushed satin finish helps to hide small scratches that may occur over the lifetime of the sink. Our Stainless Steel sinks are made from high quality 14, 16, 18 or 20 gauge steel. Most models are made of one piece construction that ensures the sturdiest kitchen sink you will find. Our sinks are made from 300-series stainless steel and are guaranteed not to rust or stain. Each sink is fully insulated and has a sound dampening pad. Our stainless steel sinks are backed by a limited lifetime warranty. This sink can be mounted under a laminate countertop with the included SinkLink installation piece, creating a sleek look. Offered in white, black or gray, the SinkLink is constructed from thick durable plastic and acts as a secure barrier that keeps the foundation of the laminate countertop dry.



23" x 17 3/4" x 9 1/4"  
 16- or 18-Gauge Steel Available  
 Certified High-Quality 304 Stainless Steel  
 Brushed Satin Finish  
 Center Drain  
 Thick Sound Dampener Rubber Pad  
 Fully Insulated  
 Cardboard Cutout Template Included  
 Installation Hardware Included  
 cUPC Certified (Uniform Plumbing Code)  
 Limited Lifetime Warranty  
 SinkLink installation piece included



### Accessories



\*Accessories not included

16g UPC: 817299011897  
 18g UPC: 817299011903

### Features

<b>Undermount Installation</b> 	<b>24" Minimum Cabinet Size</b> 	<b>16 or 18 Gauge Available</b> 	<b>Cold-Rolled Stainless Steel</b> 	<b>Brushed-Satin Finish</b> 	<b>Center Drain 3 1/2"</b> 
<b>Sound Dampening</b> 	<b>Fully Insulated</b> 	<b>Cutout Template</b> 	<b>Hardware Included</b> 	<b>cUPC Certified</b> 	<b>Limited Lifetime Warranty</b> 