



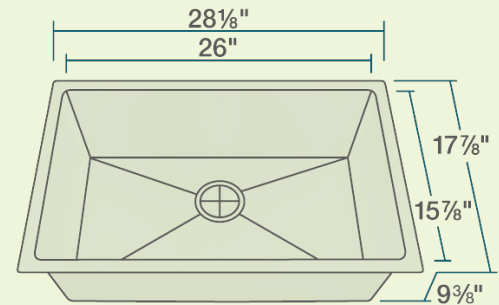
2920S Single Bowl 3/4" Radius Sink

Stainless Steel

Stainless Steel is the most popular choice for today's kitchens due to its clean look and durability. The beautiful brushed satin finish helps to hide small scratches that may occur over the lifetime of the sink. Our Stainless Steel sinks are made from high quality 14, 16, 18 or 20 gauge steel. Most models are made of one piece construction that ensures the sturdiest kitchen sink you will find. Our sinks are made from 300-series stainless steel and are guaranteed not to rust or stain. Each sink is fully insulated and has a sound dampening pad. Our stainless steel sinks are backed by a limited lifetime warranty.



- 28 1/8" x 17 7/8" x 9 3/8"
- Undermount Installation
- 30" Minimum Cabinet Size
- 14-, 16- or 18-Gauge Steel Available
- Certified High-Quality 304 Stainless Steel
- Offset Drain
- Thick Sound Dampener Rubber Pad
- Fully Insulated
- Cardboard Cutout Template Included
- Installation Hardware Included
- Limited Lifetime Warranty



Accessories



*Accessories not included

16g UPC: 841412137294

18g UPC: 841412137270

Features

<p>Undermount Installation</p>	<p>30" Minimum Cabinet Size</p>	<p>14, 16, or 18 Gauge Available</p>	<p>Cold-Rolled Stainless Steel</p>	<p>Offset Drain 3 1/2"</p>	<p>Sound Dampening</p>
<p>Fully Insulated</p>	<p>Cutout Template</p>	<p>Hardware Included</p>	<p>Limited Lifetime Warranty</p>	<p>One Bowl</p>	