



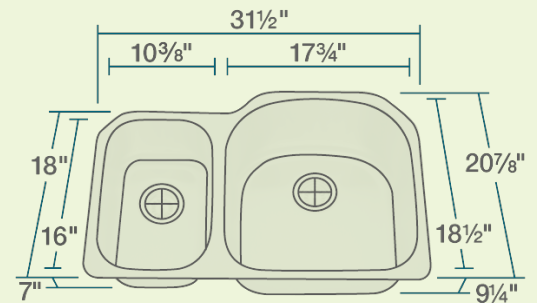
3121R Kitchen Sink

Stainless Steel

Stainless Steel is the most popular choice for today's kitchens due to its clean look and durability. The beautiful brushed satin finish helps to hide small scratches that may occur over the lifetime of the sink. Our Stainless Steel sinks are made from high quality 14, 16, 18 or 20 gauge steel. Most models are made of one piece construction that ensures the sturdiest kitchen sink you will find. Our sinks are made from 300-series stainless steel and are guaranteed not to rust or stain. Each sink is fully insulated and has a sound dampening pad. Our stainless steel sinks are backed by a limited lifetime warranty.



- 31 1/2" x 20 7/8" x 9 1/4"
- 16- or 18-Gauge Steel Available
- Certified High-Quality 304 Stainless Steel
- Brushed Satin Finish
- Offset Drain
- Thick Sound Dampener Rubber Pad
- Fully Insulated
- One-Piece Construction
- Cardboard Cutout Template Included
- Installation Hardware Included
- cUPC Certified (Uniform Plumbing Code)
- Limited Lifetime Warranty



Accessories



*Accessories not included

16g UPC: 817299011477
 18g UPC: 817299011491

Features

Undermount Installation 	33" Minimum Cabinet Size 	16 or 18 Gauge Available 	Cold-Rolled Stainless Steel 	Brushed-Satin Finish 	Offset Drain 3 1/2"
Sound Dampening 	Fully Insulated 	Cutout Template 	Hardware Included 	cUPC Certified 	Limited Lifetime Warranty