



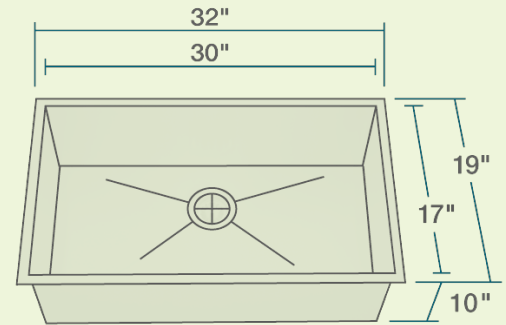
# 3322S Industrial Rectangular Sink

## Stainless Steel

Stainless Steel is the most popular choice for today's kitchens due to its clean look and durability. The beautiful brushed satin finish helps to hide small scratches that may occur over the lifetime of the sink. Our Stainless Steel sinks are made from high quality 14, 16, 18 or 20 gauge steel. Most models are made of one piece construction that ensures the sturdiest kitchen sink you will find. Our sinks are made from 300-series stainless steel and are guaranteed not to rust or stain. Each sink is fully insulated and has a sound dampening pad. Our stainless steel sinks are backed by a limited lifetime warranty.



- 32" x 19" x 10"
- 16-Gauge Steel
- Certified High-Quality 304 Stainless Steel
- Brushed Satin Finish
- Offset Drain
- Thick Sound Dampener Rubber Pad
- Fully Insulated
- Cardboard Cutout Template Included
- Installation Hardware Included
- cUPC Certified (Uniform Plumbing Code)
- Limited Lifetime Warranty



## Accessories



\*Accessories not included

UPC: 817299012009

## Features

<p>Undermount Installation</p>	<p>33" Minimum Cabinet Size</p>	<p>16 Gauge</p>	<p>Cold-Rolled Stainless Steel</p>	<p>Brushed-Satin Finish</p>	<p>Offset Drain 3 1/2"</p>
<p>Sound Dampening</p>	<p>Fully Insulated</p>	<p>Cutout Template</p>	<p>Hardware Included</p>	<p>cUPC Certified</p>	<p>Limited Lifetime Warranty</p>