



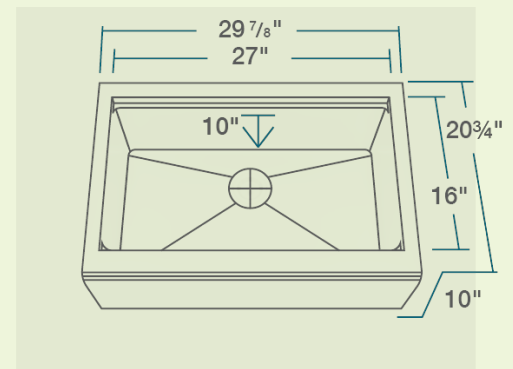
409-LEDGE Single Bowl Apron Workstation Sink

Stainless Steel

Stainless Steel is the most popular choice for today's kitchens due to its clean look and durability. The beautiful brushed satin finish helps to hide small scratches that may occur over the lifetime of the sink. Our Stainless Steel sinks are made from high quality 14, 16, 18 or 20 gauge steel. Most models are made of one piece construction that ensures the sturdiest kitchen sink you will find. Our sinks are made from 300-series stainless steel and are guaranteed not to rust or stain. Each sink is fully insulated and has a sound dampening pad. Our stainless steel sinks are backed by a limited lifetime warranty.



- 29 7/8" x 20 3/4" x 10"
- Farmhouse-Style/Apron Sink Installation
- 18-Gauge Steel
- Certified High-Quality 304 Stainless Steel
- Offset Drain
- Thick Sound Dampener Rubber Pad
- Fully Insulated
- Cardboard Cutout Template Included
- Limited Lifetime Warranty
- Includes Tigerwood Cutting Board and Stainless Steel Rolling Grid



Accessories



*Accessories not included

UPC: 841412153904

Features

Apron Installation 	33" Minimum Cabinet Size 	18 Gauge 	Cold-Rolled Stainless Steel 	Center Drain 3 1/2" 	Sound Dampening
Fully Insulated 	Cutout Template 	Limited Lifetime Warranty 	One Bowl 		