



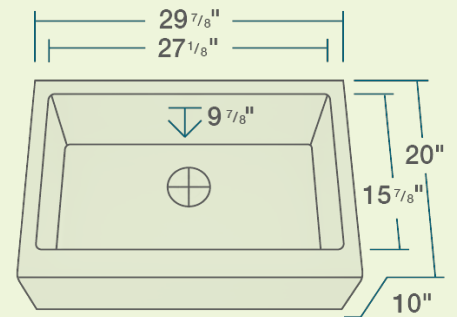
# 409 Single Bowl Apron Sink

## Stainless Steel

Stainless Steel is the most popular choice for today's kitchens due to its clean look and durability. The beautiful brushed satin finish helps to hide small scratches that may occur over the lifetime of the sink. Our Stainless Steel sinks are made from high quality 14, 16, 18 or 20 gauge steel. Most models are made of one piece construction that ensures the sturdiest kitchen sink you will find. Our sinks are made from 300-series stainless steel and are guaranteed not to rust or stain. Each sink is fully insulated and has a sound dampening pad. Our stainless steel sinks are backed by a limited lifetime warranty.



29 7/8" x 20" x 10"  
 Farmhouse-Style/Apron Sink Installation  
 16- or 18-Gauge Steel Available  
 Certified High-Quality 304 Stainless Steel  
 Offset Drain  
 Thick Sound Dampener Rubber Pad  
 Fully Insulated  
 Cardboard Cutout Template Included  
 Limited Lifetime Warranty



## Accessories



\*Accessories not included

16g UPC: 841412153706  
 18g UPC: 841412153676

## Features

Apron Installation 	33" Minimum Cabinet Size 	16 or 18 Gauge Available 	Cold-Rolled Stainless Steel 	Offset Drain 3 1/2" 	Sound Dampening 
Fully Insulated 	Cutout Template 	Limited Lifetime Warranty 	One Bowl 		