



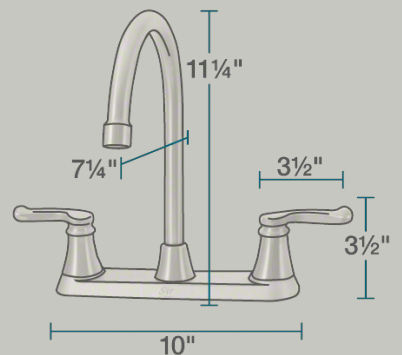
7142-BN Double Handle Faucet

Kitchen Faucets

Our Kitchen Faucets present many options to promote ease of use in your kitchen. A faucet with a pull-out sprayer makes rinsing large and unwieldy dishes quick and easy. The optional soap dispenser saves room by storing your dish soap below the counter and prevents clutter around your sink. We offer a wide variety of faucet styles in four available finishes to match your kitchen's décor.



- 10" x 7 1/4" x 11 1/4"
- 3- or 4-Hole Installation
- 8" Centerset
- 1/4-Turn Washerless Ceramic Cartridge
- Completely Pressure Tested
- ADA Approved
- Constructed of Lead-Free Materials
- Complies with NSF Standards
- SDWA Compliant
- cUPC Certified (Uniform Plumbing Code)
- Limited Lifetime Warranty
- Brushed-Nickel Finish

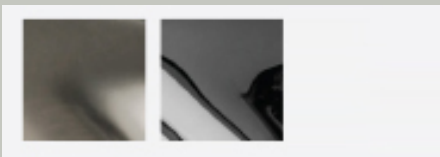


Accessories



*Accessories not included

Available Finishes



UPC: 819084018661

Features

<p>3-Hole Installation</p>	<p>1/4-Turn Washerless Ceramic Cartridges</p>	<p>Pressure Tested</p>	<p>ADA Compliant</p>	<p>Lead-Free Construction</p>	<p>Complies with NSF Standards</p>
<p>Safe Drinking Water Act</p>	<p>cUPC Certified</p>	<p>Limited Lifetime Warranty</p>	<p>Traditional</p>		