



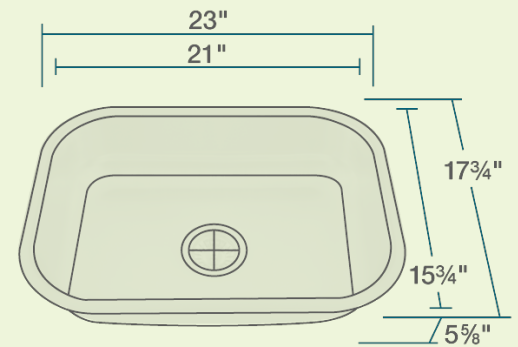
## ADA2318-SLBL Single Bowl ADA Sink with Black SinkLink

### Stainless Steel

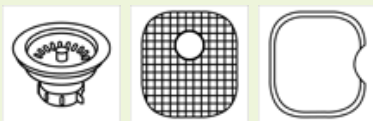
Stainless Steel is the most popular choice for today's kitchens due to its clean look and durability. The beautiful brushed satin finish helps to hide small scratches that may occur over the lifetime of the sink. Our Stainless Steel sinks are made from high quality 14, 16, 18 or 20 gauge steel. Most models are made of one piece construction that ensures the sturdiest kitchen sink you will find. Our sinks are made from 300-series stainless steel and are guaranteed not to rust or stain. Each sink is fully insulated and has a sound dampening pad. Our stainless steel sinks are backed by a limited lifetime warranty. This sink can be mounted under a laminate countertop with the included SinkLink installation piece, creating a sleek look. Offered in white, black or gray, the SinkLink is constructed from thick durable plastic and acts as a secure barrier that keeps the foundation of the laminate countertop dry.



- 23" x 17 3/4" x 5 5/8"
- Undermount Installation
- 24" Minimum Cabinet Size
- 18-Gauge Steel
- Certified High-Quality 304 Stainless Steel
- Brushed Satin Finish
- Center Drain
- Thick Sound Dampener Rubber Pad
- Fully Insulated
- Cardboard Cutout Template Included
- Installation Hardware Included
- Limited Lifetime Warranty
- ADA Compliant
- SinkLink installation piece included



### Accessories



\*Accessories not included

UPC: 841412138192

### Features

Undermount Installation 	24" Minimum Cabinet Size 	18 Gauge 	Cold-Rolled Stainless Steel 	Brushed-Satin Finish 	Center Drain 3 1/2" 
Sound Dampening 	Fully Insulated 	Cutout Template 	Hardware Included 	ADA Compliant 	Limited Lifetime Warranty 