



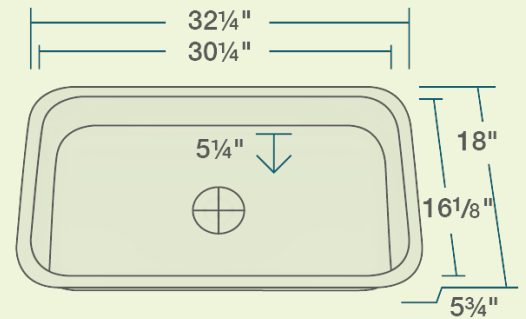
ADA3218C Single Bowl Undermount ADA Sink

Stainless Steel

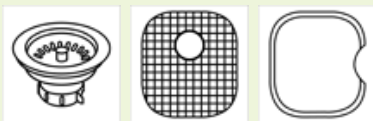
Stainless Steel is the most popular choice for today's kitchens due to its clean look and durability. The beautiful brushed satin finish helps to hide small scratches that may occur over the lifetime of the sink. Our Stainless Steel sinks are made from high quality 14, 16, 18 or 20 gauge steel. Most models are made of one piece construction that ensures the sturdiest kitchen sink you will find. Our sinks are made from 300-series stainless steel and are guaranteed not to rust or stain. Each sink is fully insulated and has a sound dampening pad. Our stainless steel sinks are backed by a limited lifetime warranty.



- 32 1/4" x 18" x 5 3/4"
- Undermount Installation
- 33" Minimum Cabinet Size
- 18-Gauge Steel
- Brushed Satin Finish
- Center Drain
- Thick Sound Dampener Rubber Pad
- Fully Insulated
- Cardboard Cutout Template Included
- Installation Hardware Included
- Limited Lifetime Warranty
- ADA Compliant



Accessories



*Accessories not included

UPC: 841412153744

Features

<p>Undermount Installation</p>	<p>33" Minimum Cabinet Size</p>	<p>18 Gauge</p>	<p>Cold-Rolled Stainless Steel</p>	<p>Brushed-Satin Finish</p>	<p>Center Drain 3 1/2"</p>
<p>Sound Dampening</p>	<p>Fully Insulated</p>	<p>One-Piece Construction</p>	<p>Cutout Template</p>	<p>Hardware Included</p>	<p>ADA Compliant</p>