



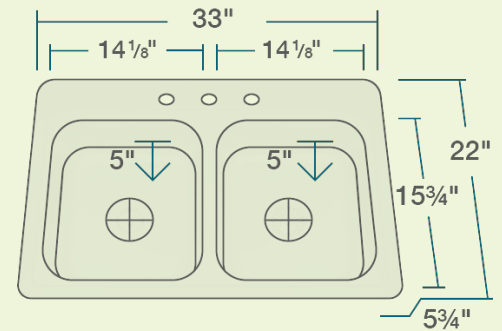
# ADAT550D Double Bowl ADA Sink

## Stainless Steel

Stainless Steel is the most popular choice for today's kitchens due to its clean look and durability. The beautiful brushed satin finish helps to hide small scratches that may occur over the lifetime of the sink. Our Stainless Steel sinks are made from high quality 14, 16, 18 or 20 gauge steel. Most models are made of one piece construction that ensures the sturdiest kitchen sink you will find. Our sinks are made from 300-series stainless steel and are guaranteed not to rust or stain. Each sink is fully insulated and has a sound dampening pad. Our stainless steel sinks are backed by a limited lifetime warranty.



- 33" x 22" x 5 3/4"
- Topmount Installation
- 33" Minimum Cabinet Size
- 20-Gauge Steel
- Certified High-Quality 304 Stainless Steel
- Brushed Satin Finish
- Center Drain
- Thick Sound Dampener Rubber Pad
- Fully Insulated
- One-Piece Construction
- Installation Hardware Included
- Limited Lifetime Warranty
- ADA Compliant



## Accessories



\*Accessories not included

UPC: 841412153768

## Features

Topmount Installation 	33" Minimum Cabinet Size 	20 Gauge 	Cold-Rolled Stainless Steel 	Brushed-Satin Finish 	Center Drain 3 1/2" 
Sound Dampening 	Fully Insulated 	One-Piece Construction 	Hardware Included 	ADA Compliant 	Limited Lifetime Warranty 