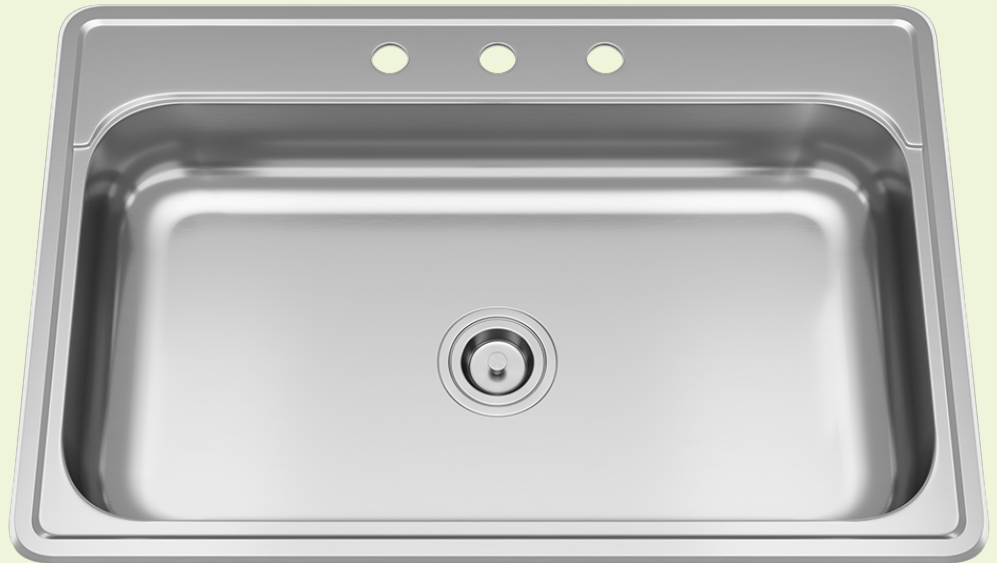




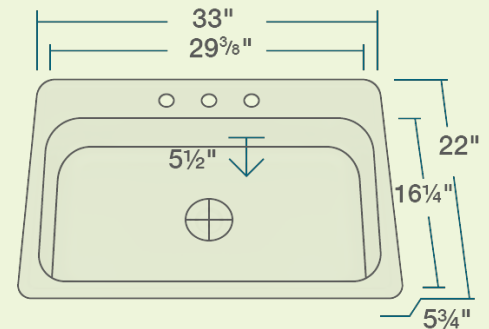
ADAT550S Single Bowl ADA Sink

Stainless Steel

Stainless Steel is the most popular choice for today's kitchens due to its clean look and durability. The beautiful brushed satin finish helps to hide small scratches that may occur over the lifetime of the sink. Our Stainless Steel sinks are made from high quality 14, 16, 18 or 20 gauge steel. Most models are made of one piece construction that ensures the sturdiest kitchen sink you will find. Our sinks are made from 300-series stainless steel and are guaranteed not to rust or stain. Each sink is fully insulated and has a sound dampening pad. Our stainless steel sinks are backed by a limited lifetime warranty.



- 33" x 22" x 5 3/4"
- Topmount Installation
- 33" Minimum Cabinet Size
- 18-Gauge Steel
- Certified High-Quality 304 Stainless Steel
- Brushed Satin Finish
- Center Drain
- Thick Sound Dampener Rubber Pad
- Fully Insulated
- One-Piece Construction
- Installation Hardware Included
- Limited Lifetime Warranty
- ADA Compliant



Accessories



*Accessories not included

UPC: 841412153782

Features

Topmount Installation	33" Minimum Cabinet Size	18 Gauge	Cold-Rolled Stainless Steel	Brushed-Satin Finish	Center Drain 3 1/2"
Sound Dampening	Fully Insulated	One-Piece Construction	Hardware Included	ADA Compliant	Limited Lifetime Warranty