

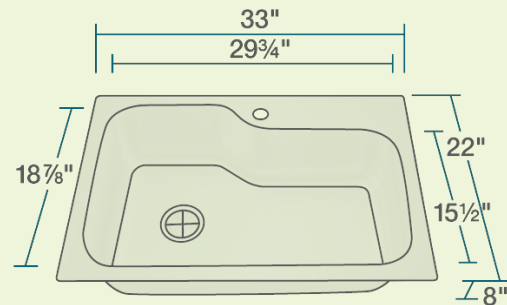
MX346DM Single Bowl Dual-Mount Sink

Stainless Steel

Stainless Steel is the most popular choice for today's kitchens due to its clean look and durability. The beautiful brushed satin finish helps to hide small scratches that may occur over the lifetime of the sink. Our Stainless Steel sinks are made from high quality 16, 18, 20 or 24 gauge steel. Most models are made of one piece construction that ensures the sturdiest kitchen sink you will find. Our sinks are made from 304 steel and are guaranteed not to rust or stain. Each sink is fully insulated and has a sound dampening pad. Our stainless steel sinks are backed by a limited lifetime warranty. Each sink comes with a cardboard cutout template and mounting hardware.



- 33" x 22" x 8"
- Undermount or Topmount Installation
- 33" Minimum Cabinet Size
- 18-Gauge Steel
- Certified High-Quality 300 Series Stainless Steel
- Brushed Satin Finish
- Thick Sound Dampener Rubber Pad
- Fully Insulated
- One-Piece Construction
- Cardboard Cutout Template Included
- Installation Hardware Included
- cUPC Certified (Uniform Plumbing Code)
- Lifetime Warranty



Accessories



*Accessories not included

UPC: 812667026510

Features

| | | | | | |
|-------------------------------|---------------------------------|---|---------------------------------------|-----------------------------|----------------------------------|
| <p>Topmount or Undermount</p> | <p>33" Minimum Cabinet Size</p> | <p>18 Gauge</p> <p>16G </p> <p>18G </p> <p>20G </p> <p>24G </p> | <p>Cold Rolled Stainless Steel</p> | <p>Brushed Satin Finish</p> | <p>Center Drain 3 1/2"</p> |
| <p>Sound Dampening</p> | <p>Fully Insulated</p> | <p>Cutout Template</p> | <p>Installation Hardware Included</p> | <p>cUPC Certified</p> | <p>Limited Lifetime Warranty</p> |