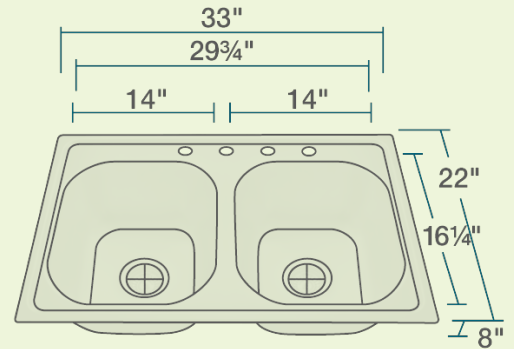


Stainless Steel

Stainless Steel is the most popular choice for today's kitchens due to its clean look and durability. The beautiful brushed satin finish helps to hide small scratches that may occur over the lifetime of the sink. Our Stainless Steel sinks are made from high quality 14, 16, 18, 20 or 24 gauge steel. Most models are made of one piece construction that ensures the sturdiest kitchen sink you will find. Our sinks are made from 304 steel and are guaranteed not to rust or stain. Each sink is fully insulated and has a sound dampening pad. Our stainless steel sinks are backed by a limited lifetime warranty. Each sink comes with a cardboard cutout template and mounting hardware.



- 33" x 22" x 8"
- Topmount Installation
- 33" Minimum Cabinet Size
- 20-Gauge Steel
- Certified High-Quality 300 Series Stainless Steel
- Brushed Satin Finish
- Center Drain
- Thick Sound Dampener Rubber Pad
- Fully Insulated
- One-Piece Construction
- Installation Hardware Included
- Lifetime Warranty



Accessories



*Accessories not included

UPC: 812667026497

Features

Topmount Installation 	33" Minimum Cabinet Size 	20 Gauge 16G 18G 20G	Cold Rolled Stainless Steel 	Brushed Satin Finish 	Center Drain 3 1/2"
Sound Dampening 	Fully Insulated 	Hardware Included 	cUPC Certified 	Limited Lifetime Warranty 	