



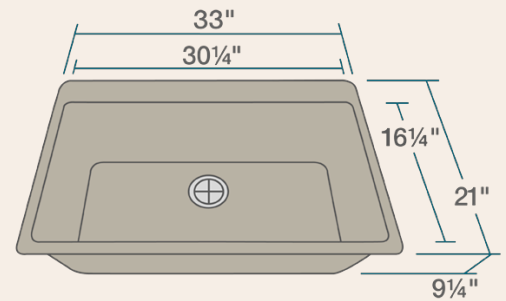
T848-SLATE Large Single Bowl Topmount Sink



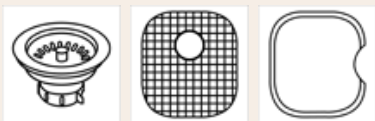
TruGranite

Our TruGranite sinks come in six colors to match any countertop: black, silver, mocha, slate, beige, and white. They are made with 80% Quartz and 20% Acrylic and have a non-porous surface that gives the sink antibacterial properties. They are extremely scratch resistant, can withstand temperatures up to 550 Degrees, and are unaffected by household acids and cleaners. They are also completely stain resistant.

33" x 21" x 9 1/4"
Topmount Installation
Made with 80% Quartz, 20% Acrylic
All-Natural Materials - Eco-Friendly and Recyclable
Offset Drain
Heat Resistant to 550 Degrees
Stain Resistant
Scratch Resistant
Multiple Colors Available
Installation Hardware Included
Limited Lifetime Warranty
Acrylic Provides Sound Dampening - No Pads Needed

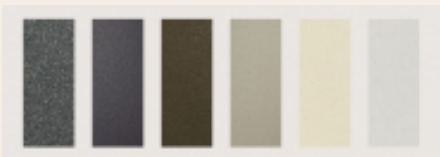


Accessories



*Accessories not included

Available Colors



UPC: 841412137652

Features

Topmount Installation 	33" Minimum Cabinet Size 	80% Quartz 20% Acrylic 	Heat Resistant 	Stain Resistant 	Scratch Resistant
Multiple Colors Available 	Hardware Included 	Limited Lifetime Warranty 	One Bowl 		