



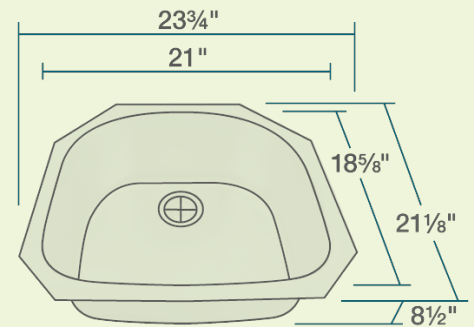
US1042 D-Bowl Kitchen Sink

Stainless Steel

Stainless Steel is the most popular choice for today's kitchens due to its clean look and durability. The beautiful brushed satin finish helps to hide small scratches that may occur over the lifetime of the sink. Our Stainless Steel sinks are made from high quality 14, 16, 18 or 20 gauge steel. Most models are made of one piece construction that ensures the sturdiest kitchen sink you will find. Our sinks are made from 300-series stainless steel and are guaranteed not to rust or stain. Each sink is fully insulated and has a sound dampening pad. Our stainless steel sinks are backed by a limited lifetime warranty.



- 23 3/4" x 21 1/8" x 8 1/2"
- 18-Gauge Steel
- Certified High-Quality 300 Series Stainless Steel
- Brushed Satin Finish
- Offset Drain
- Thick Sound Dampener Rubber Pad
- Cardboard Cutout Template Included
- Installation Hardware Included
- Limited Lifetime Warranty



Accessories



*Accessories not included

UPC: 817299017608

Features

Undermount Installation 	24" Minimum Cabinet Size 	18 Gauge 	Cold-Rolled Stainless Steel 	Made in the U.S.A. 	Brushed-Satin Finish
Offset Drain 3 1/2" 	Sound Dampening 	Cutout Template 	Hardware Included 	Limited Lifetime Warranty 	One Bowl